

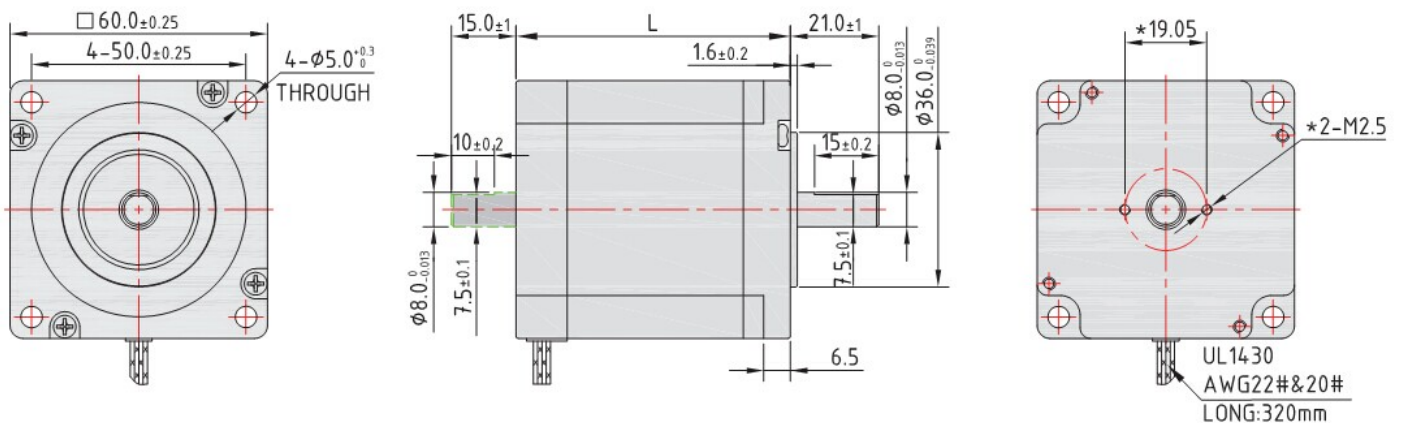
二相混合式步进电机 (SIZE 60mm-1.8°)



电机规格参数 (Motor Specifications)

型号(Model)	电流	电阻@20°C	电感@1kHz	保持力矩		惯量	机身長	重量	
	Current	Resistance	Inductance	Holding torque		Inertia	Length	Weight	
	A	$\Omega \pm 10\%$	mH $\pm 20\%$	N.m	OZ.in	g/cm ²	mm Max	Kg	Lbs
23H248-02S/D	2.0	1.5	3.9	1.1	156	240	47	0.6	1.3
23H248-03S/D	3.0	0.6	1.6	1.1	156	240	47	0.6	1.3
23H248-04S/D	4.0	0.4	0.9	1.1	156	240	47	0.6	1.3
23H256-02S/D	2.0	1.8	6.0	1.5	212	340	56	0.8	1.8
23H256-03S/D	3.0	0.8	2.5	1.5	212	340	56	0.8	1.8
23H256-04S/D	4.0	0.4	1.4	1.5	212	340	56	0.8	1.8
23H269-03S/D	3.0	1.0	3.4	2.2	312	490	68	1.0	2.2
23H269-04S/D	4.0	0.6	1.9	2.2	312	490	68	1.0	2.2
23H269-05S/D	5.0	0.3	1.2	2.2	312	490	68	1.0	2.2
23H286-03S/D	3.0	1.3	5.0	3.0	425	690	85	1.3	2.9
23H286-04S/D	4.0	0.8	3.0	3.0	425	690	85	1.3	2.9
23H286-05S/D	5.0	0.4	2.0	3.0	425	690	85	1.3	2.9

外形图 (Dimensions)



短频曲线 (Torque-frequency Curve)

