

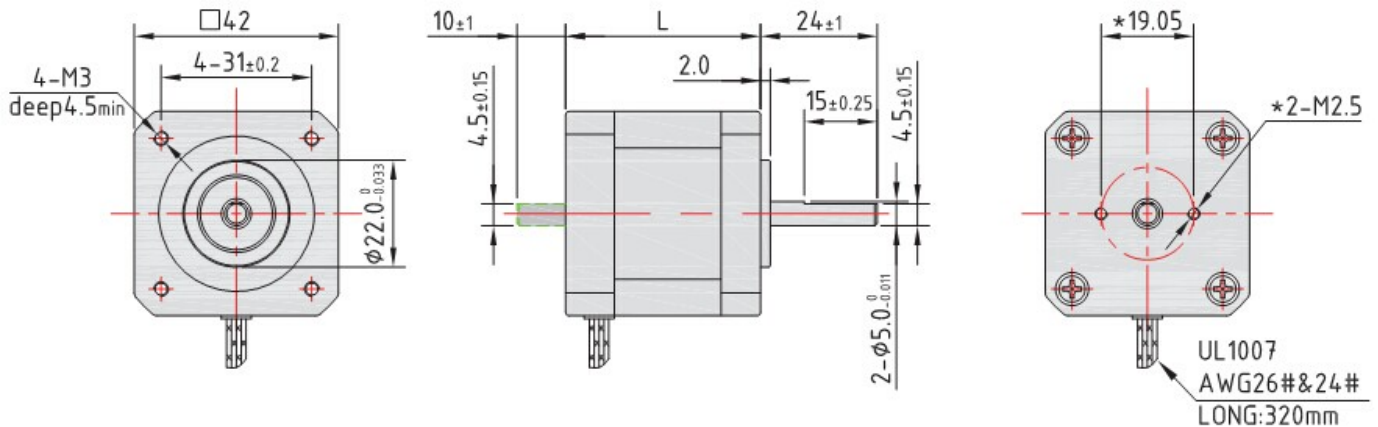
二相混合式步进电机 (SIZE 42mm-1.8°)



电机规格参数 (Motor Specifications)

型号(Model)	电流	电阻@20℃	电感@1kHz	保持力矩		惯量	机身長	重量	
	Current	Resistance	Inductance	Holding torque		Inertia	Length	Weight	
	A	$\Omega \pm 10\%$	mH $\pm 20\%$	N.m	OZ.in	g/cm ²	mm Max	Kg	Lbs
17H231-01S/D	0.6	6.6	10.0	0.16	22.7	23	31	0.20	0.4
17H231-02S/D	1.2	1.8	2.5	0.16	22.7	23	31	0.20	0.4
17H235-01S/D	0.6	8.0	16.0	0.25	35.4	35	35	0.24	0.5
17H235-02S/D	1.2	2.0	4.0	0.25	35.4	35	35	0.24	0.5
17H241-01S/D	0.6	9.7	20.0	0.40	56.7	54	41	0.30	0.7
17H241-02S/D	1.2	2.5	5.5	0.40	56.7	54	41	0.30	0.7
17H249-01S/D	0.6	12.0	29.0	0.48	68.0	77	49	0.36	0.8
17H249-02S/D	1.2	3.1	8.0	0.48	68.0	77	49	0.36	0.8
17H249-03S/D	1.8	1.5	3.7	0.48	68.0	77	49	0.36	0.8
17H261-01S/D	0.6	15.5	37.5	0.72	102.0	110	61	0.50	1.1
17H261-02S/D	1.2	4.0	10.0	0.72	102.0	110	61	0.50	1.1
17H261-03S/D	1.8	2.0	5.0	0.72	102.0	110	61	0.50	1.1

外形图 (Dimensions)



短频曲线 (Torque-frequency Curve)

