

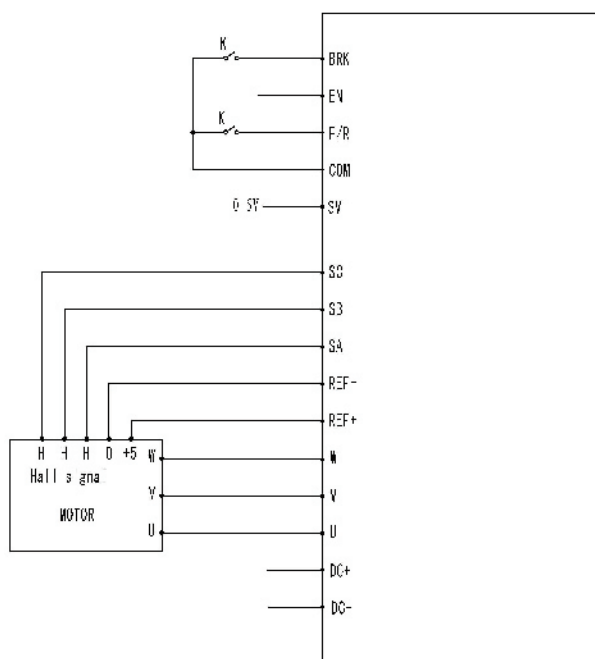
## 2-Quadrant Speed Driver For BLDC Motor



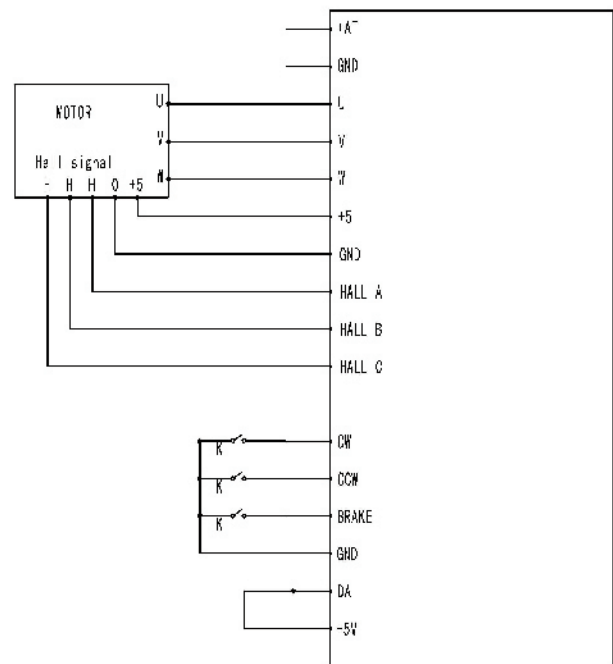
### SPECIFICATION

Model		24QDN04	36QDN04	36QDZ06	36QDZ10
Voltage	V	12-30	24-40	10-38	10-38
Phase		3 Phase			
Max Continuous Current	A	3.6	3.6	6	10
Input Signals		Compatible with TTL			
Control Method		Analog / PWM			
Speed Raising Time	S	0.5-10			
Chopping Frequency	KHz	>12			
Dimension	MM	96X60X25	96X60X25	86X65X20	100X68X19
weight	KG	0.125	0.125	0.16	0.116
Working Environment		0°C~+50°C 40~89%RH			

### CONNECTIONS



24QDN04/36QDN04



36QDZ06/10