

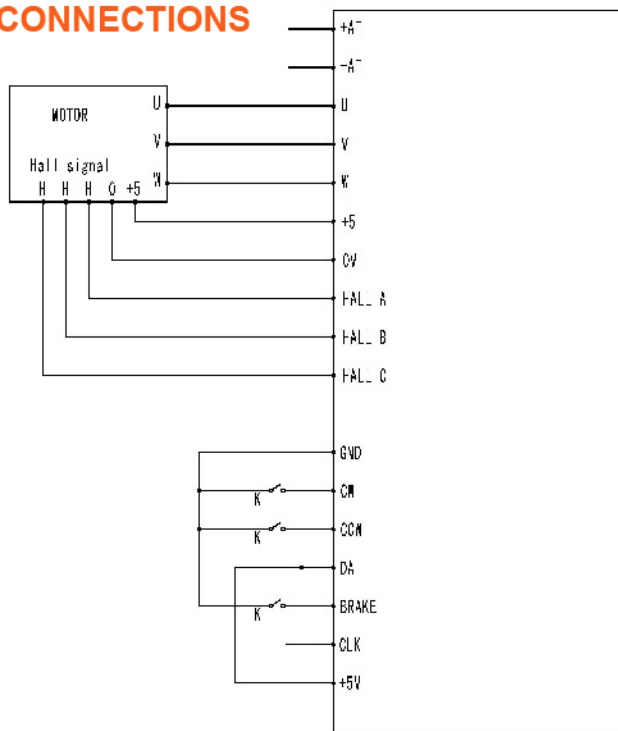
2-Quadrant Speed Driver For BLDC Motor



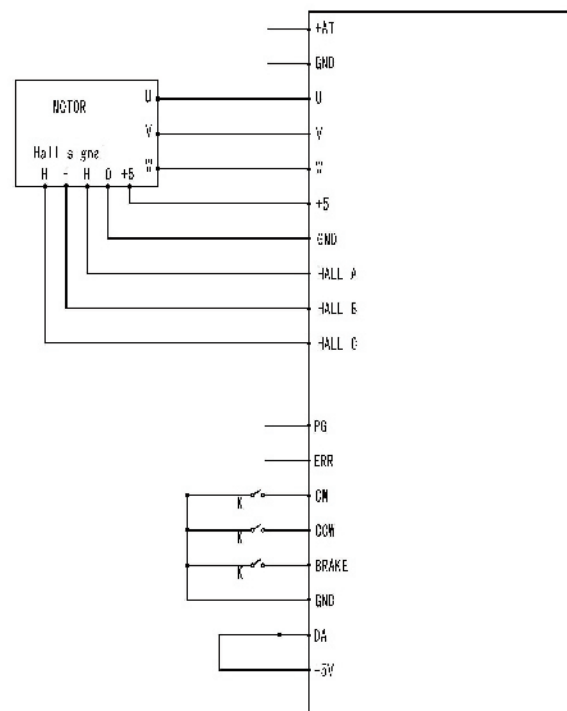
SPECIFICATION

Model		48QDZ20	48QDZ30	48QDZ50
Voltage	V	DC16-60V		
Phase		3 Phase		
Max Continuous Current	A	20	30	50
Input Signals		Compatible with TTL		
Control Method		Analog/RS485/PWM		
Speed Raising Time	S	0.5-10		
Chopping Frequency	KHz	>12		
Dimension	MM	118X75X33	150X98X51	180X104X61
weight	KG	0.23	0.66	0.93
Working Environment		0°C~+50°C 40~89%RH		

CONNECTIONS



48QDZ20



48QDZ30/50