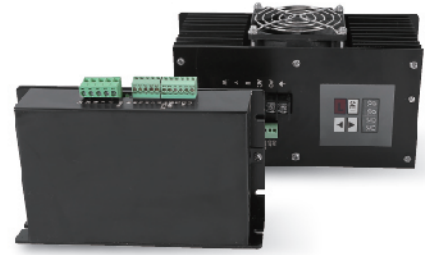


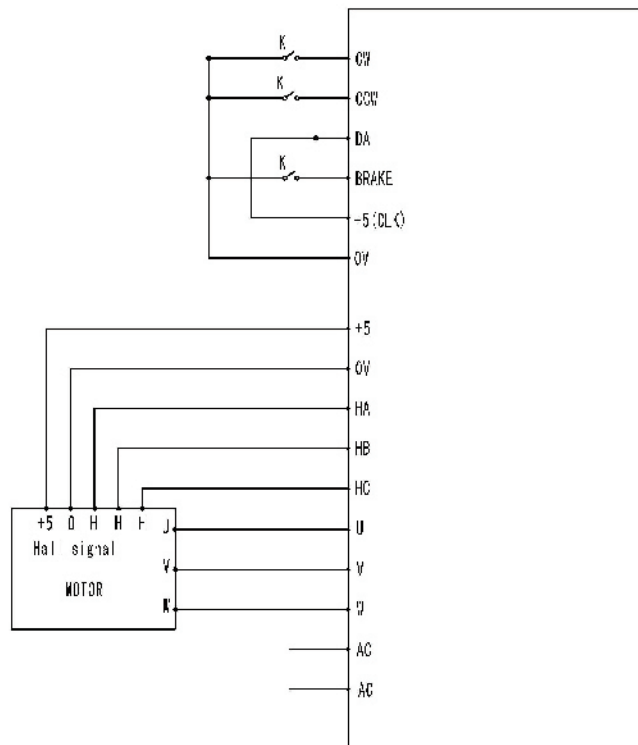
## 2-Quadrant Speed Driver For BLDC Motor



### SPECIFICATION

Model		220QDZ06	220QDZ30
Voltage	V	AC90-230V	
Phase		3 Phase	
Max Continuous Current	A	10	30
Input Signals		Compatible with TTL	
Control Method		Analog / RS485 / PWM	
Speed Raising Time	S	0.5-10	
Chopping Frequency	KHz	>12	
Dimension	MM	175X105X41	220X105X10
weight	KG	0.55	1.75
Working Environment		0°C~+50°C 40~89%RH	

### CONNECTIONS



220QDZ06/30